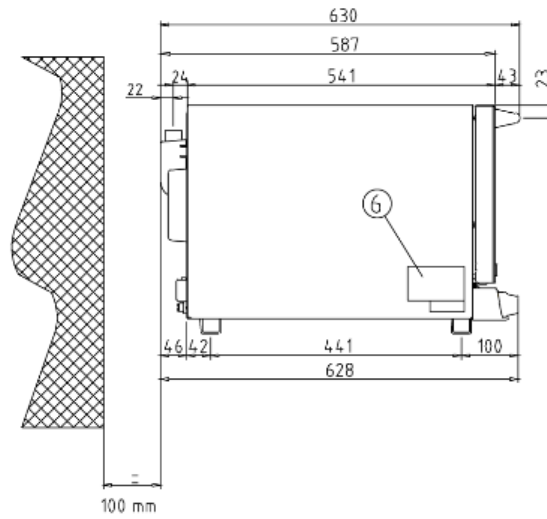
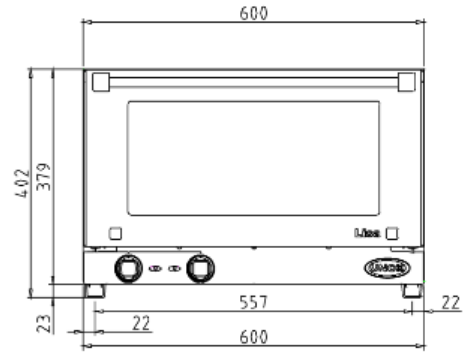
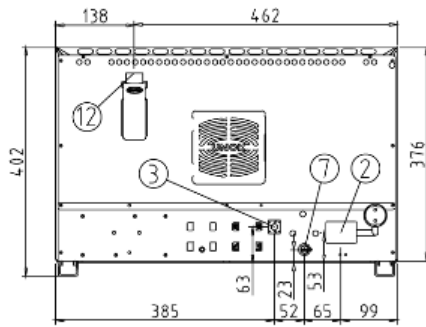


LISA (Manual) XF013

ÉLECTRIQUE



Capacité	3 460x330
Distance	70 mm
Fréquence	50 / 60Hz
Voltage	230 V~ 1N
Puissance électrique	2,7 kW
Dimensions	600x402x587 mm
Poids	20 kg



■ :Standard □ :Optional - :Not available

BAKING MODES

Convection baking 30 °C - 260 °C

■

AIR DISTRIBUTION IN THE BAKING CHAMBER

AIR.Plus technology: fan with reversing gear on models 600x400 only

■

CLIMA MANAGEMENT IN THE BAKING CHAMBER

DRY.Plus technology: high performance moisture and humidity extraction

■

PANS

Flat aluminum pans (only for 460x330 and 342x242 models)

■

AUXILIARY FUNCTIONS

Protek.SAFE™ technology: maximum thermal efficiency and working safety (cool door glass and external surfaces)

■

Visualisation of the residual baking time

■

Continuous functioning «INF»

■

Visualisation of the set and real temperature values in the oven chamber

-

Temperature unit that can be set in °C or °F

-

DOOR OPENING

Manual door opening from top to bottom

■

TECHNICAL DETAILS

Rounded baking chamber made of high resistant ferritic steel for hygiene and ease of cleaning

■

Baking chamber lights

■

Light weight – heavy duty structure using innovative materials

■

Proximity door contact switch

■
(XF043)

Auto-diagnosys system for problems or brake down

-

Safety temperature switch

■